

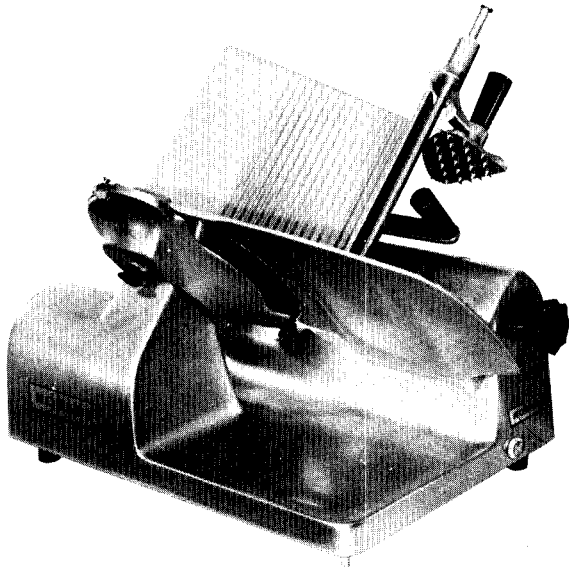


REPLACEMENT PARTS

SLICERS

(INCLUDES MOTOR PARTS)

1612	ML-103096
1712	ML-38884
1712R	ML-38886
1712R	ML-38887



MODEL 1612 SHOWN

THIS MANUAL REPLACES AND SHOULD BE USED
INSTEAD OF FORMS 16743 , 14284 REV.B, 12832B, 12836B
& 12887A FOR REPLACEMENT PARTS.

PRIOR ML'S COVERED IN THIS MANUAL:

1612	ML-38883
1612	ML-19515, ML-38778
1712	ML-19525, ML-38779
1712R	ML-19526, ML-38781



1612 / 1712 / 1712R

INDEX

ACTUATING MECH. UNIT	2
BASE UNIT (1612)	3
BASE UNIT (1712 / 1712R)	4
MOTOR PARTS (WITH ROTATING ACTUATOR START SWITCH)	5
MOTOR PARTS (WITH ELECTRONIC START SWITCH)	6
ELECTRICAL UNIT	7
SLIDE ROD UNIT	8
KNIFE UNIT	9
KNIFE SHARPENER UNIT (BOTTOM MOUNTED)	10
CARRIAGE TRAY UNIT (1612)	11
CARRIAGE TRAY UNIT (1712)	13
CARRIAGE TRAY UNIT (1712R)	15
GEAR CASE UNIT (1712 / 1712R)	17
GAUGE PLATE & INDEXING MECH.	19

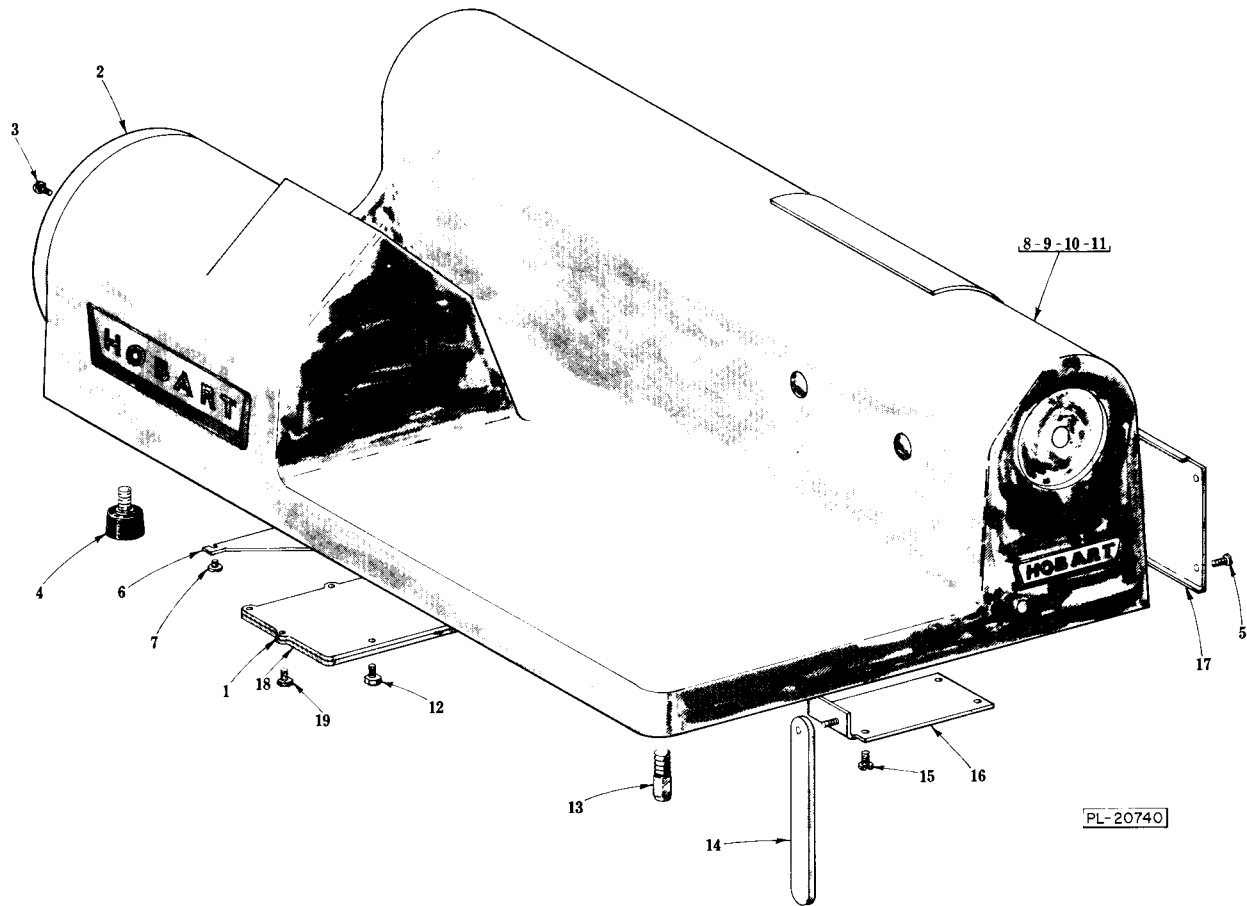


1712/1712R ACTUATING MECH. UNIT

ILLUS. PL-15697	PART NO.	NAME OF PART ²⁹	AMT.
1	11800-137	Dowel	1
2	SC-62-81	Cap Screw $\frac{5}{16}$ -18 x $\frac{7}{8}$ Hex Hd	2
3	WL-3-44	Lock Washer $\frac{5}{16}$ Medium	2
4	83424	Base and Brg. Assy	1
5	WS-2-43	Washer	1
6	70240	Clip - Locking	1
7	70351	Screw - Special	1
8	70233-2	Lever - Actuating Mech	1
9	70245	Clip - Lever Wear	1
10	70297	Pin - Hinge	1
11	PC-3-23	Cotter Pin $\frac{1}{16}$ x $\frac{1}{2}$	1
12	SC-60-21	Mach. Screw 10-24 x $\frac{1}{4}$ Rd. Hd	1
13	70399	Spring - Actuating Mech	1
14	118161	Dowel - Yoke & Shaft Locating	1
15	SC-60-20	Mach. Screw 10-24 x 1 Rd. Hd	1
16	70266	Yoke & Shaft Assy	1



1612/1712/1712R REPLACEMENT PARTS

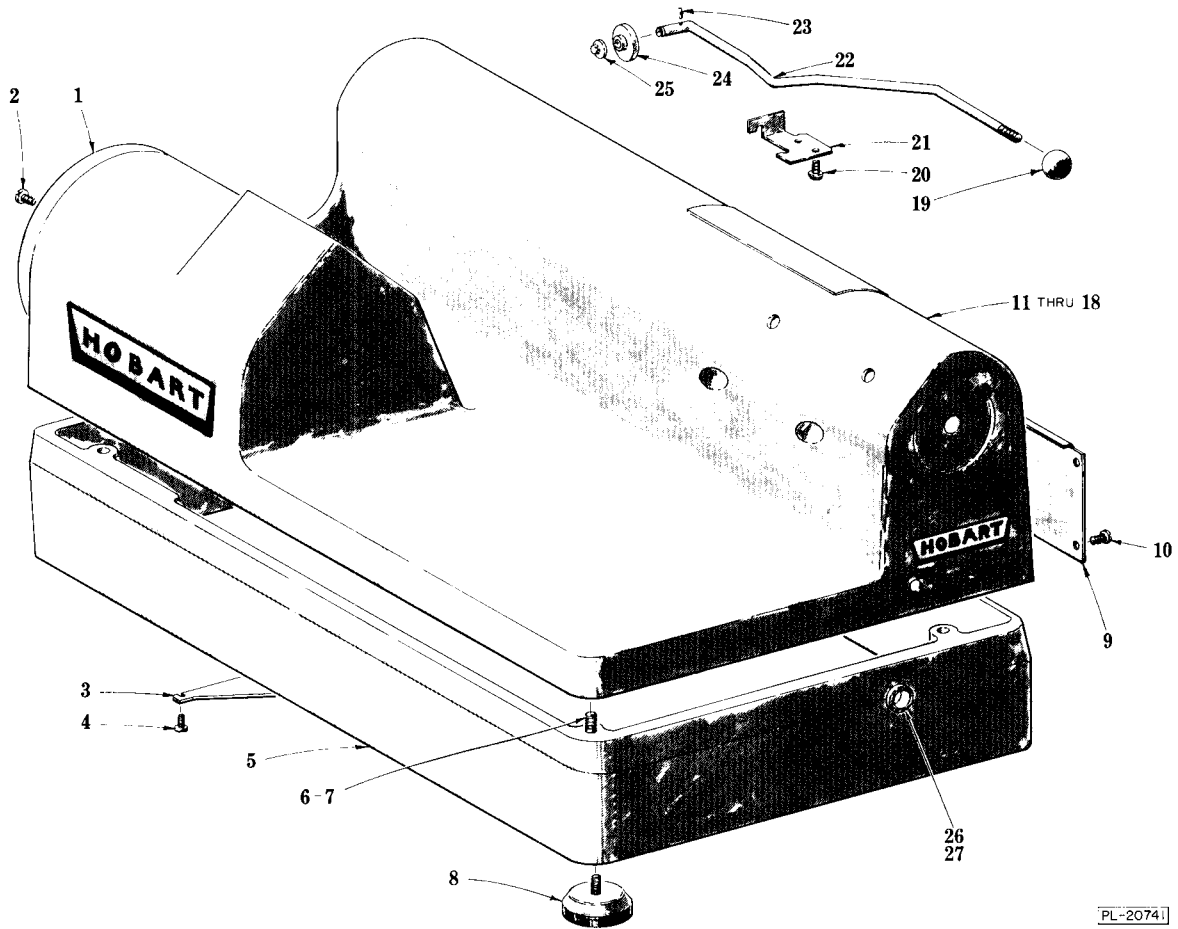


1612 BASE UNIT

ILLUS. PL-20740	PART NO.	NAME OF PART ²⁹	AMT.
1	117710	Gasket - Gear Case Cover	1
2	70238	Cover - Bearing Bracket	1
3	SD-24-19	Self-Tapping Screw 8-32 x 3/8 Truss Hd. "Taptite"	2
4	18682-1	Foot	3
5	SC-10-32	Mach. Screw 8-32 x 3/8 Truss Hd.	4
6	123452	Cover - Junction Box	1
7	SD-24-13	Self-Tapping Screw 8-32 x 3/8 Pan Hd. "Taptite"	3
8	123800-5	Base & Name Plate Assy. (60 Hz.) (Hobart Built Motors)	1
9	123800-6	Base & Name Plate Assy. (50 Hz.) (Hobart Built Motors)	1
10	123800-9	Base & Name Plate Assy. (60 Hz.) (Non-Hobart Built Motors)	1
11	123800-10	Base & Name Plate Assy. (50 Hz.) (Non-Hobart Built Motors)	1
12	SD-24-5	Self-Tapping Screw Screw 5/16-18 x 5/8 Hex Hd. "Taptite"	2
13	70412	Foot - Helper	1
14	103972	Leg - Cleaning	1
15	SD-24-13	Self-Tapping Screw 8-32 x 3/8 Pan Hd. "Taptite"	4
16	114124	Switch Box Cover & Leg Assy. (Incls. item 14)	1
17	84067	Panel - Side	1
18	116670	Cover - Gear Case	1
19	SD-24-4	Self-Tapping Screw 10-24 x 5/8 Hex Hd. "Taptite"	5



REPLACEMENT PARTS 1612/1712/1712R



PL-20741

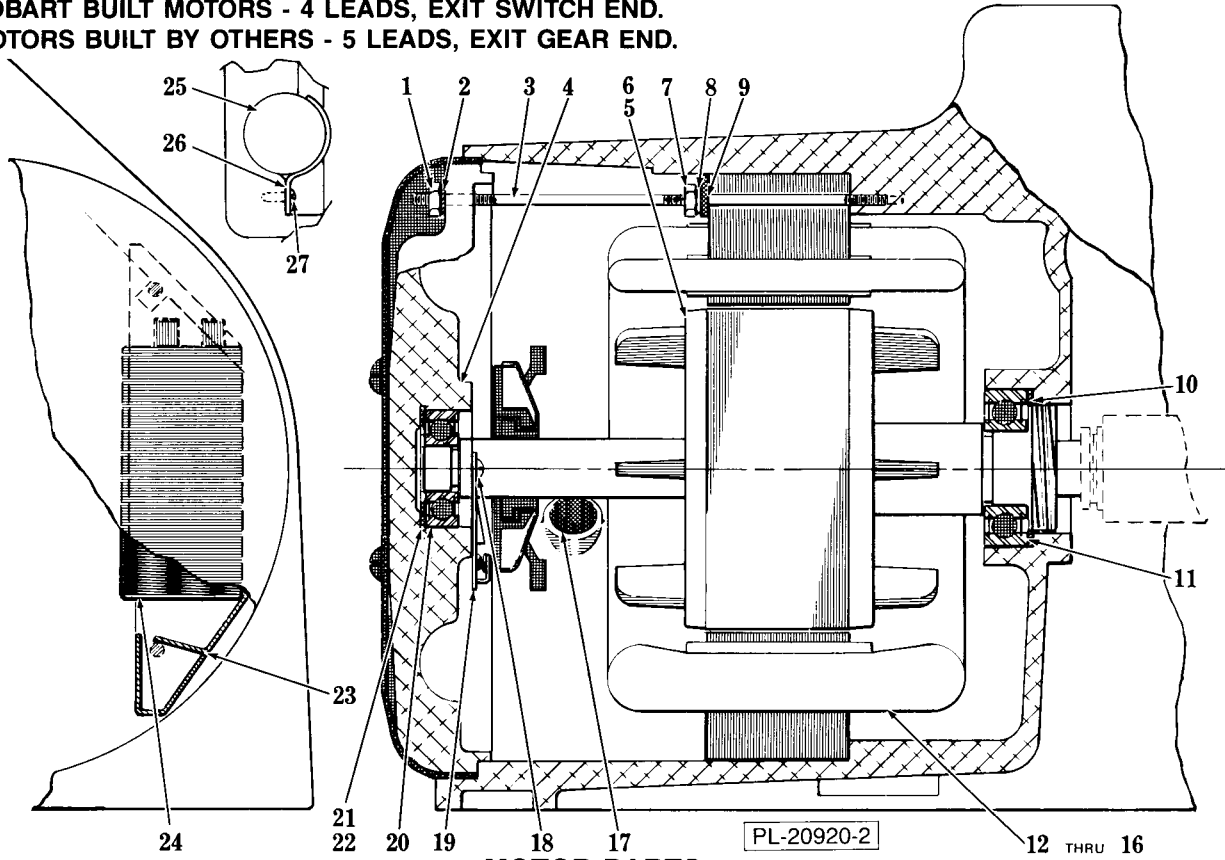
1712/1712R BASE UNIT

ILLUS. NO.	PART NO.	NAME OF PART ²⁹	AMT.
1	70238	Cover - Bearing Bracket	1
2	SD-24-19	Self-Tapping Screw 8-32 x 3/8 Truss Hd., Type TT	2
3	123452	Cover - Junction Box	1
4	SD-24-13	Self-Tapping Screw 8-32 x 3/8 Pan Hd., Type TT	3
5	290038-1	Sub-Base & Bushing Assy. (Incls. items 6, 26 & 27)	1
6	SC-62-81	Cap Screw 5/16-18 x 3/4 Hex Hd	4
7	WL-3-44	Lock Washer 5/16 Medium	4
8	83681	Foot	4
9	84067	Panel - Side	1
10	SC-10-32	Mach. Screw 8-32 x 3/8 Truss Hd	4
11	123800-5	Base & Name Plate Assy. (60 Hz.) (1712) (Hobart Built Motors)	1
12	123802-5	Base & Name Plate Assy. (60 Hz.) (1712R) (Hobart Built Motors)	1
13	123800-6	Base & Name Plate Assy. (50 Hz.) (1712) (Hobart Built Motors)	1
14	123802-6	Base & Name Plate Assy. (50 Hz.) (1712R) (Hobart Built Motors)	1
15	123800-9	Base & Name Plate Assy. (60 Hz.) (1712) (Non-Hobart Built Motors)	1
16	123802-9	Base & Name Plate Assy. (60 Hz.) (1712R) (Non-Hobart Built Motors)	1
17	123800-10	Base & Name Plate Assy. (50 Hz.) (1712) (Non-Hobart Built Motors)	1
18	123802-10	Base & Name Plate Assy. (50 Hz.) (1712R) (Non-Hobart Built Motors)	1
19	106503	Knob - Lifting Lever	1
20	SD-9-16	Self-Tapping Screw 1/4-20 x 3/4 Hex Hd., Type F	2
21	121920	Retainer - Lifting Lever	1
22	106504	Lever - Lifting	1
23	RP-3-19	Rollpin 1/16 Dia. x 5/8 Lg	1
24	108001	Foot - Lifting Lever	1
25	106502	Push Nut	1
26	290063	Bushing - Shifter Sleeve	1
27	RR-10-13	Retaining Ring	1
	106505	Lever & Foot Assy. (Incls. items 19, 22, 23, 24 & 25)	1



1612/1712/1712R REPLACEMENT PARTS

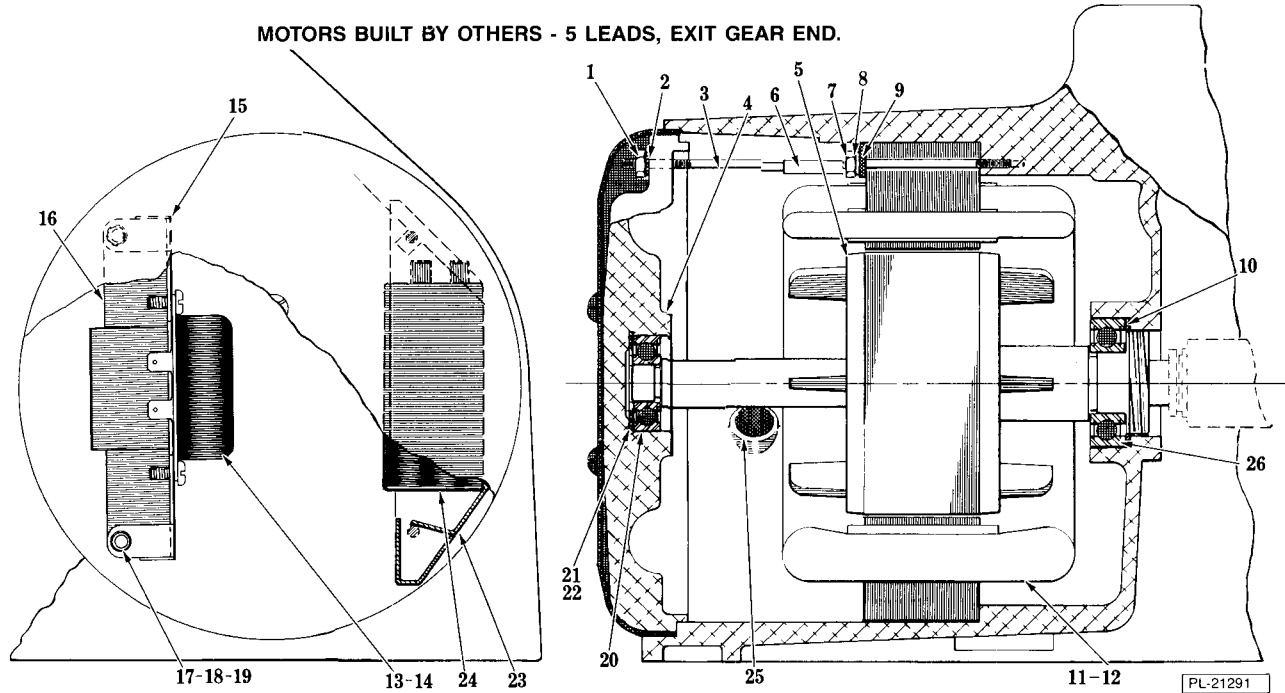
HOBART BUILT MOTORS - 4 LEADS, EXIT SWITCH END.
 MOTORS BUILT BY OTHERS - 5 LEADS, EXIT GEAR END.



MOTOR PARTS
 (WITH ROTATING ACTUATOR START SWITCH)

ILLUS.	PART NO.	PART NO.	NAME OF PART ²⁹	AMT.
PL-20920-2	Hobart Built Motors	Motors Built by Others		
1	NS-9-12	NS-9-12	Mach. Nut 8-32 Hex	4
2	WL-7-6	WL-7-6	Lock Washer 8 Ext. Shakeproof	4
3	120048	120048	Stud - Stator	4
4	110293	110293	Bracket - Bearing	1
5	**	**	Rotor Assy. (60 Hz.)	1
6	**	**	Rotor Assy. (50 Hz.)	1
7	NS-9-12	NS-9-12	Mach. Nut 8-32 Hex	4
8	WS-2-15	WS-2-15	Washer	4
9	113655	293454	Retainer - Stator	4
10	70422	70422	Washer - Bearing	1
11	BB-15-41	BB-15-41	Ball Bearing - N.D. #Z993L04	1
12	**	**	Stator Assy. (115 V., 60 Hz.)	1
13	**	**	Stator Assy. (200 V., 60 Hz.)	1
14	**	**	Stator Assy. (230 V., 60 Hz.)	1
15	**	**	Stator Assy. (115 V., 50 Hz.)	1
16	**	**	Stator Assy. (220/240 V., 50 Hz.)	1
17	70418	70418	Bushing - Motor Leads	1
18	***	***	Self-Tapping Screw 6-32 x 5/16 Phil. Rd. Hd., Type F	2
19	***	***	Switch - Starting (Stationary Part)	1
20	BB-18-12	BB-18-12	Ball Bearing - Fafnir #P201KDD	1
21	21046-2	21046-2	Washer (1/32 Thk.)	1
22	SL-2-2	SL-2-2	Loading Spring - N.D. #S-12	1
23	278280	278280	Retainer - Capacitor	1
24	70487-15	70487-21	Capacitor (50/60 Hz.)	1
25	*	---	Capacitor Assy	1
26	118072	---	Clamp - Capacitor	2
27	SD-9-5	---	Self-Tapping Screw 6-32 x 5/16 Phil. Rd. Hd., Type F	2

*Item #25 discontinued, to replace ORDER item 24 and Kit 294016.
 **NOT AVAILABLE (Order 271642 for motors Built by Others or 271645 for motors built by Hobart) (Incls. Stator, Rotor, Electronic start switch, bearings and worm gear).
 ***NOT AVAILABLE (Order 271641 for motors Built by Others or 271644 for motors built by Hobart under 150 V., or 271645 for motors built by Hobart over 150 V.)

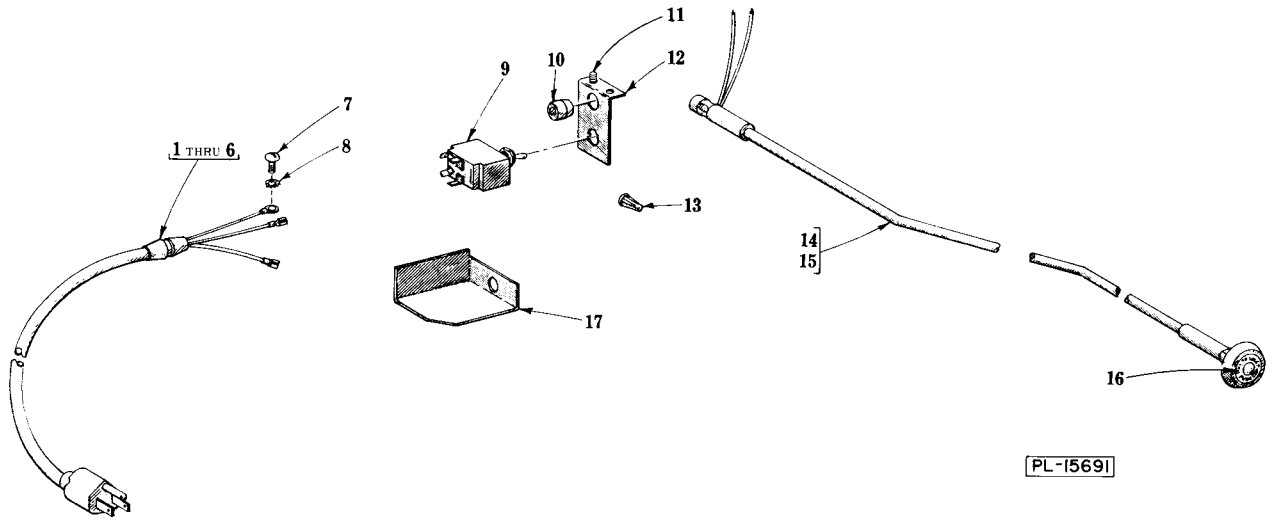


MOTOR PARTS (WITH ELECTRONIC START SWITCH)

ILLUS. PL-21291	PART NO.	NAME OF PART ³¹	AMT.
1	NS-9-12	Mach. Nut 8-32 Hex	4
2	WL-7-6	Lock Washer 8 Ext. Shakeproof	4
3	120048	Stud - Stator	4
4	110293	Bracket - Bearing	1
5	274761	Rotor Assy. (60 Hz.)	1
6	103661-17	Tubing - Insulator 3/4" Lg	2
7	NS-9-12	Mach. Nut 8-32 Hex	4
8	WS-2-15	Washer	4
9	293454	Retainer - Stator	4
10	70422	Washer - Bearing	1
11	274301	Stator Assy. (All Voltages) (ML103096)	1
12	271639	Stator Assy. (All Voltages) (All ML's except ML103096)	1
13	271612-1	Switch - Electronic Start (50/60 Hz.)	1
14	SD-24-13	Self-Taping Screw 8-32 x 3/8 Pan Hd., Type TT	2
15	271613	Plate - Motor Switch	1
16	271614	Insulator - Motor Switch	1
17	103661-15	Tubing - Insulator 1 1/2" Lg	1
18	WS-2-15	Washer	2
19	NS-9-12	Mach. Nut 8-32 Hex	2
20	BB-18-12	Ball Bearing - Fafnir #P201KDD	1
21	21046-2	Washer (1/2 Thk.)	1
22	SL-2-2	Loading Spring - N.D. #S-12	1
23	278280	Retainer - Capacitor	1
24	70487-21	Capacitor (50/60 Hz.)	1
25	70418	Bushing - Motor Leads	1
26	BB-15-41	Ball Bearing - N.D. #Z993L04	1

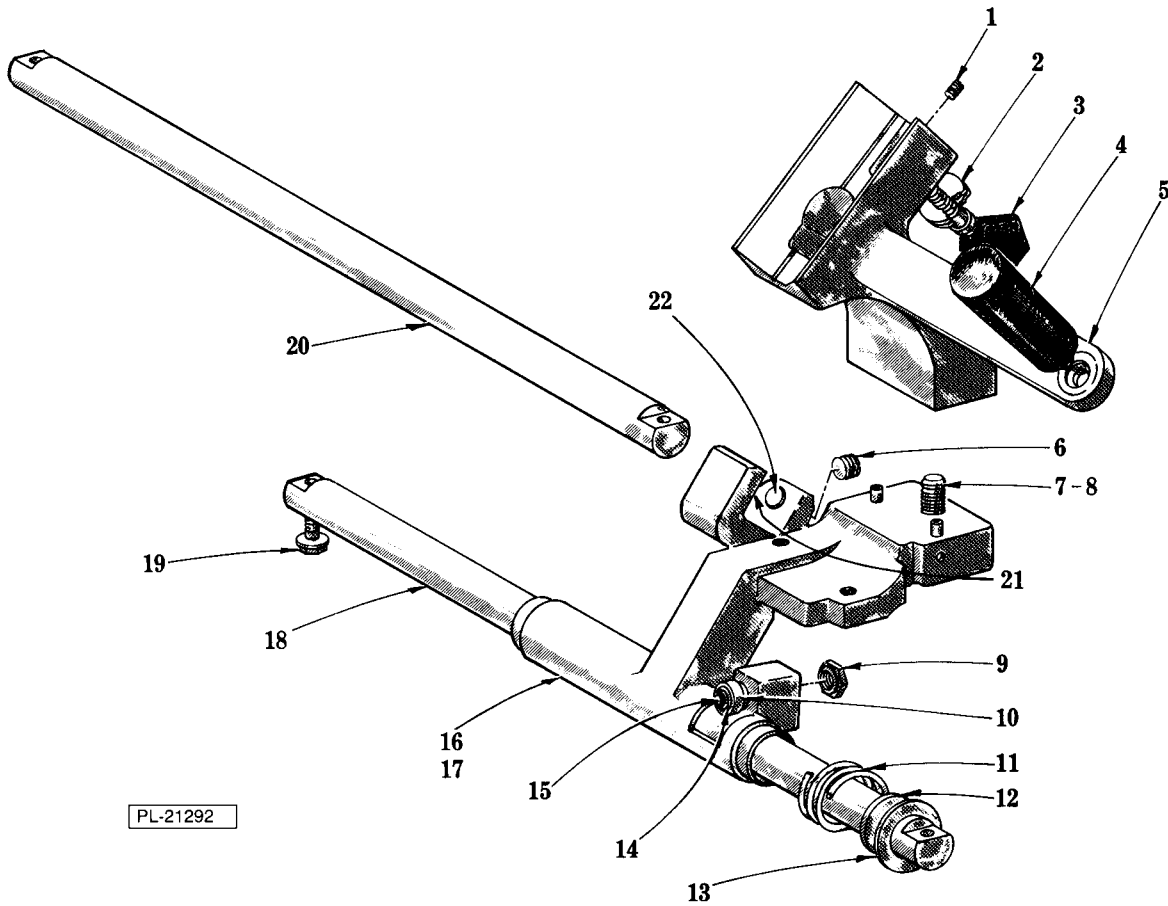


1612/1712/1712R REPLACEMENT PARTS



ELECTRICAL UNIT

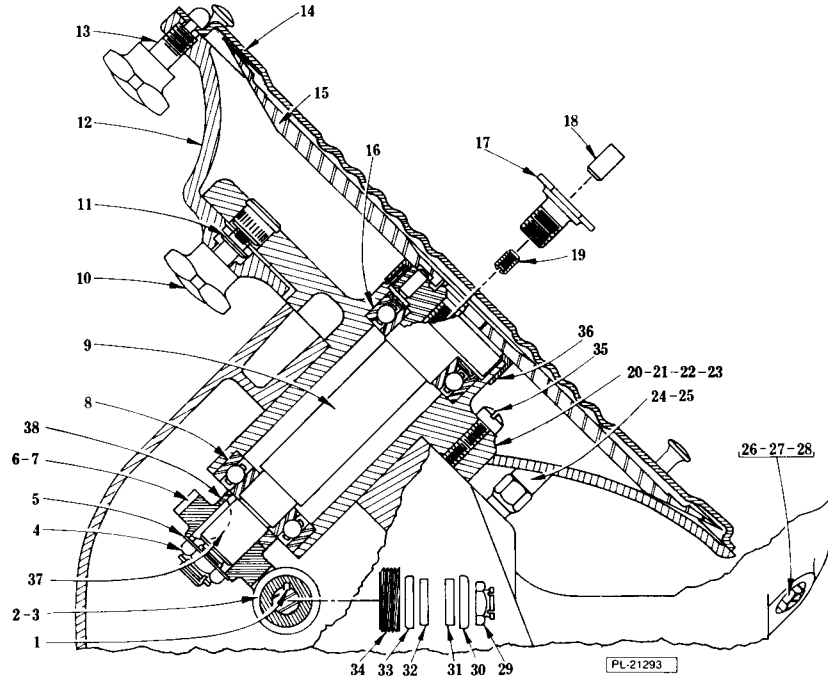
ILLUS. PL-15691	PART NO.	NAME OF PART ²⁹	AMT.
1	117542-37	Cord & Plug Assy. (115 V.)	1
2	117542-38	Cord & Plug Assy. (200-240 V.)	1
3	117542-39	Cord Assy. (I.E.C.)	1
4	RR-8-13	Retaining Ring (Use with items 1 & 2)	1
5	WS-5-36	Washer (Use with item 3)	2
6	FE-6-32	Strain Relief (Use with item 3)	2
7	SD-24-13	Self-Tapping Screw 8-32 x 3/8 Pan Hd., Type TT	1
8	WL-10-1	Lock Washer 8 Ext. Shakeproof	1
9	87711-148-1	Switch (With Nuts)	1
10	FE-21-9	Strain Relief	1
11	SD-24-13	Self-Tapping Screw 8-32 x 3/8 Pan Hd. Type TT	2
12	122341	Bracket - Switch	1
13	FE-6-29	Nut - Wire	2
14	122342-5	Lighted Knob Assy. (115 V.)	1
15	122342-6	Lighted Knob Assy. (200/240 V.)	1
16	76902	Disc - Insert	1
17	123647	Insulator - Switch	1



SLIDE ROD UNIT

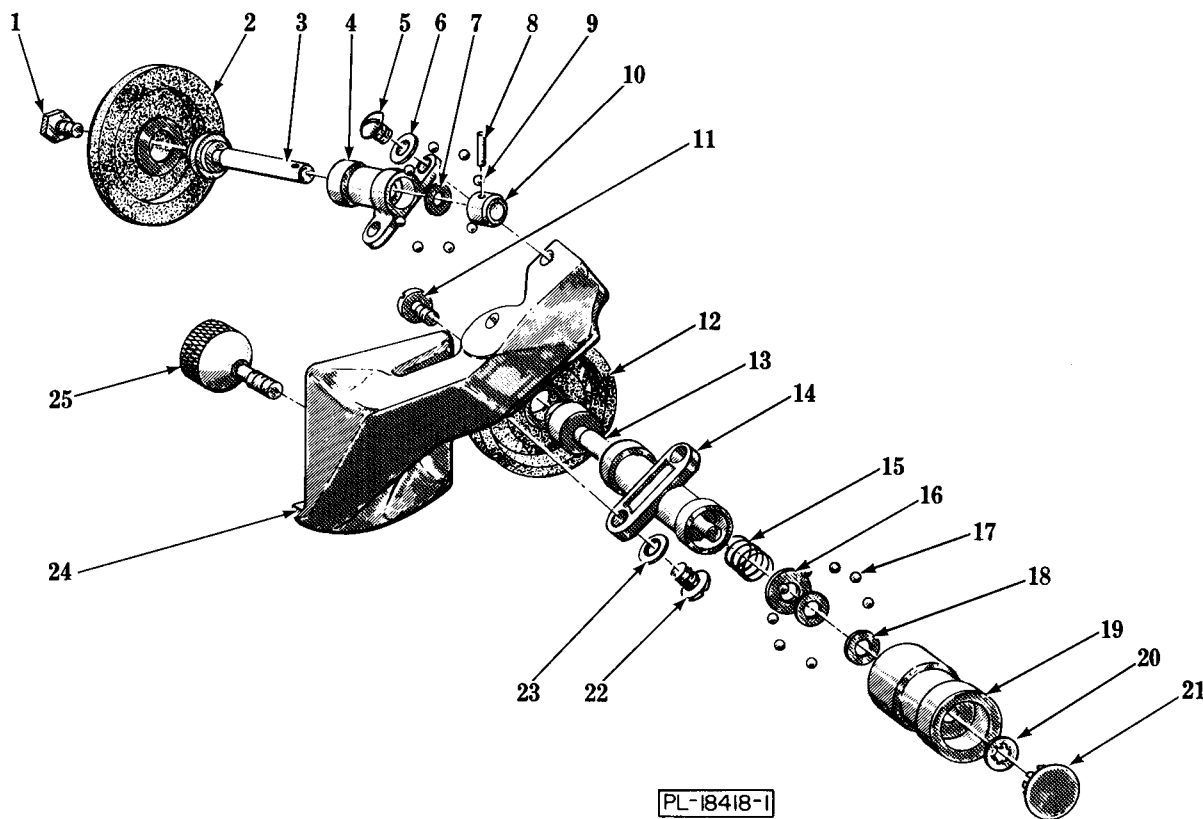
ILLUS. PL-21292	PART NO.	NAME OF PART ²⁹	AMT.
1	SC-118-52	Set Screw 1/4-20 x 1/2 Hdls., Cup Pt	1
2	107364-2	Washer - Belleville	2
3	108197-5	Thumb Screw	1
4	70194	Handle - Carriage Tray	1
5	88749-2	Carriage Support & Plug Asy. (Incls. items 1 & 4)	1
6	86260	Adjusting Screw - "Nylok"	1
7	SC-37-21	Cap Screw 1/2-13 x 1 1/2 Hex Hd	1
8	WL-6-35	Lock Washer 1/2 Light	1
9	10928-2	Nut	1
10	BB-4-11	Ball Bearing - Hoover #626ZZ	1
11	20622	Spring - Bumper	2
12	21046-1	Washer - Bumper (Rubber)	2
13	118162	Washer - Backup (SST)	2
14	RR-9-15	Retaining Ring	1
15	109870	Stud - Eccentric	1
16	114022	Carriage Bearing Assy. (Incls. items 6 & 17)	1
17	88921	Bushing	2
18	123686-1	Slide Rod - Lower	1
19	SD-24-48	Self-Tapping Screw 5/16-18 Hex Washer Hd. "Taptite"	4
20	123686-2	Slide Rod - Upper	1
21	83416	Plug (.188" Thick)	1
22	83416-2	Plug (.312" Thick)	1
	86262	Eccentric Stud, Brg. & Nut Assy. (Incls. items 9, 10, 14 & 15)	1

1612/1712/1712R REPLACEMENT PARTS



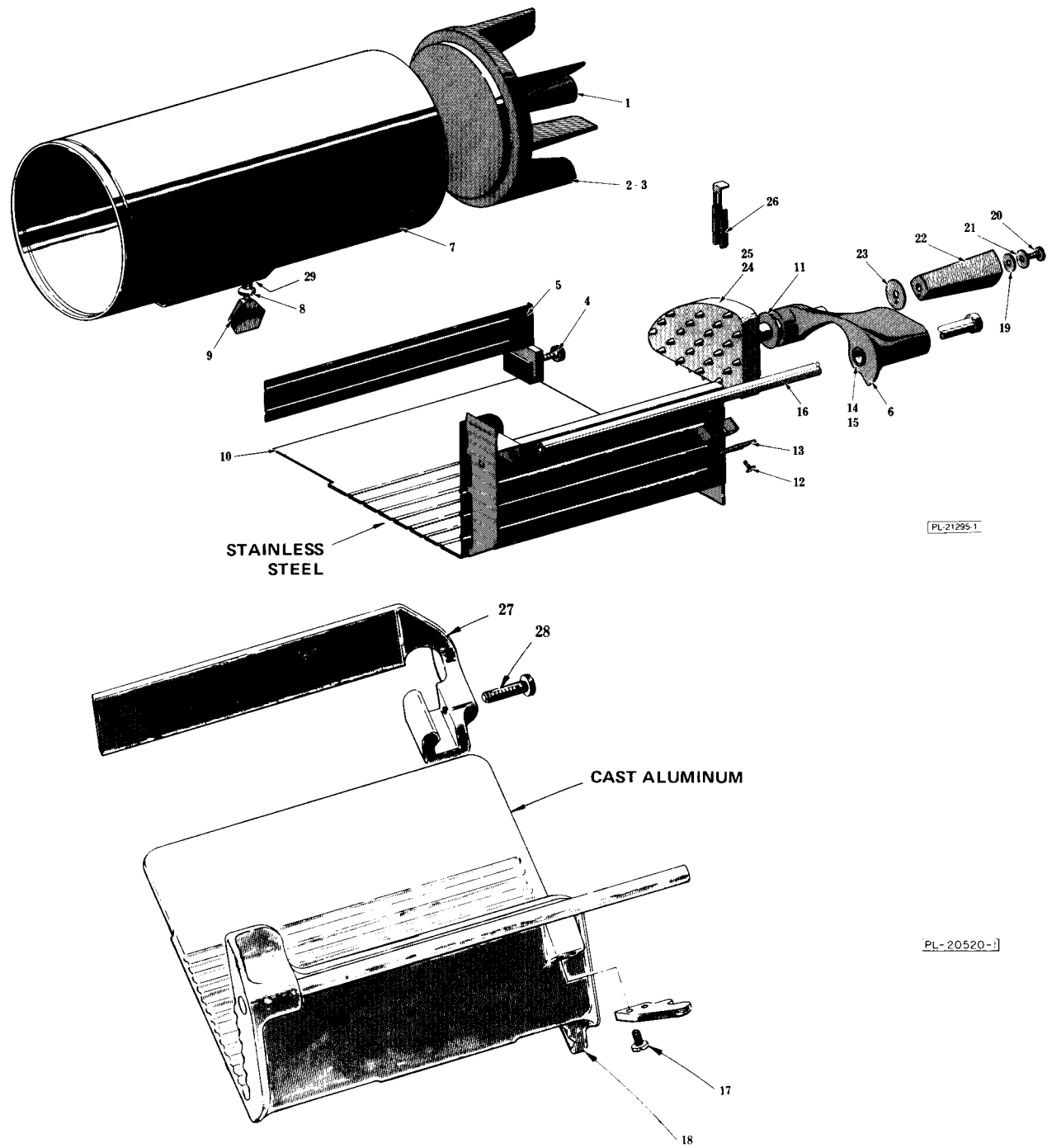
KNIFE UNIT

ILLUS. PL-21293	PART NO.	NAME OF PART ³¹	AMT.
1	12430-3	Key	1
2	291647	Worm (5T) (All ML's Except 103096) (Us with item 23)	1
3	294193	Worm (4T) (ML-103096) (1612 Only) (Use with item 22)	1
4	NS-32-29	Stop Nut 1/2-20 "Flexloc"	1
5	WS-8-9	Washer	1
6	70302	Gear - Knife Shaft Worm (24T) (All ML's Except 103096)	1
7	294194	Gear - Helical (25T) (ML-103096) (1612 Only)	1
8	BB-18-43	Ball Bearing - Hoover #9204	1
9	70435	Knife Shaft & Dowel Sub-Assy	1
10	118484	Screw - Back Knife Guard Retaining	1
11	RR-10-18	Retaining Ring	1
12	ML-42685-Z	Back - Knife Guard (Packaged)	1
13	70196	Stud - Upper Knife Guard	1
14	ML-42671-Z	Knife Guard & Knob Assy. (Packaged)	1
15	275913-1	Knife (Service)	1
16	BB-16-22	Ball Bearing - Fafnir #205KL	1
17	73356	Screw - Knife (Incls. items 18 & 19)	1
18	73265	Plug - Plate Thrust	1
19	SC-64-4	Set Screw 1/4-28 x 3/8 Hdls., Flat Pt. "Nylok"	1
20	70314-1	Insert, Knife Shaft	1
21	88726	Knife Shaft Hub & Insert Assy	1
22	274768	Knife Shaft & Hub Assy. (ML-103096) (1612 Only) (Incls. items 4, 5, 7, 8, 9, 16, 21, 37 & 38)	1
23	70348	Knife Shaft & Hub Assy. (All ML's Except 103096) (Incls. items 4, 5, 6, 8, 9, 16, 21, 37 & 38)	1
24	70241	Stud - Center Knife Guard	1
25	70198	Lock Nut - Center Stud	1
26	83021	Stud - Lower Retaining Clip	1
27	WL-7-15	Lock Washer 1/4 Ext. Shakeproof	1
28	NS-17-1	Jam Nut 1/4-20 Hex Fin	1
29	NS-32-23	Stop Nut 7/16-20 "Flexloc"	1
30	WS-7-50	Washer	1
31	274760-2	Washer - Shock (29/64" I.D.)	1
32	274760-1	Washer - Shock (41/64" I.D.)	1
33	274759	Washer	1
34	70239	Conveyor - Oil	1
35	SD-33-11	Self-Tapping Screw 1/4-20 x 1 1/8 Fil. Hd. "Taptite"	4
36	111154	Ring - Knife Shaft	1
37	73348	Key - Special Woodruff	1
38	104001	Washer - Thrust	1
	113716	Center Stud & Nut Assy. (Incls. items 24 & 25)	1



KNIFE SHARPENER UNIT (BOTTOM MOUNTED)

ILLUS.	PART NO.	NAME OF PART ²⁹	AMT.
PL-18418-1	1	Screw - Retaining	1
	2	Wheel - Grinding	1
	3	Shaft - Grinding Wheel	1
	4	Carrier - Grinding Wheel	1
	5	Mach. Screw 10-24 × ½ Rd. Hd	2
	6	Washer	2
	7	Washer	1
	8	Rollpin ⅜ × ⅞	1
	9	Ball ⅛ Dia	9
	10	Collar - Thrust	1
	11	Screw - Retaining	1
	12	Wheel - Truing	1
	13	Shaft - Truing Wheel	1
	14	Carrier - Truing Wheel	1
	15	Spring - Truing Wheel Load	1
	16	Washer	1
	17	Ball ⅛ Dia	7
	18	Washer	2
	19	Cap - Truing Wheel	1
	20	Retaining Ring	1
	21	Plug - Button	1
	22	Mach. Screw 10-24 × ½ Rd. Hd	2
	23	Washer	2
	24	Support - Sharpener	1
	25	Thumb Screw - Sharpener Attaching	1
	122794-4	Knife Sharpener Assy. (Incls. items 1 thru 25)	1
	73979	Truing Wheel Assy. (Incls. items 11 thru 21)	1
	74007	Grinding Wheel Assy. (Incls. items 1, 2, 3, 4, 7, 8, 9 & 10)	1



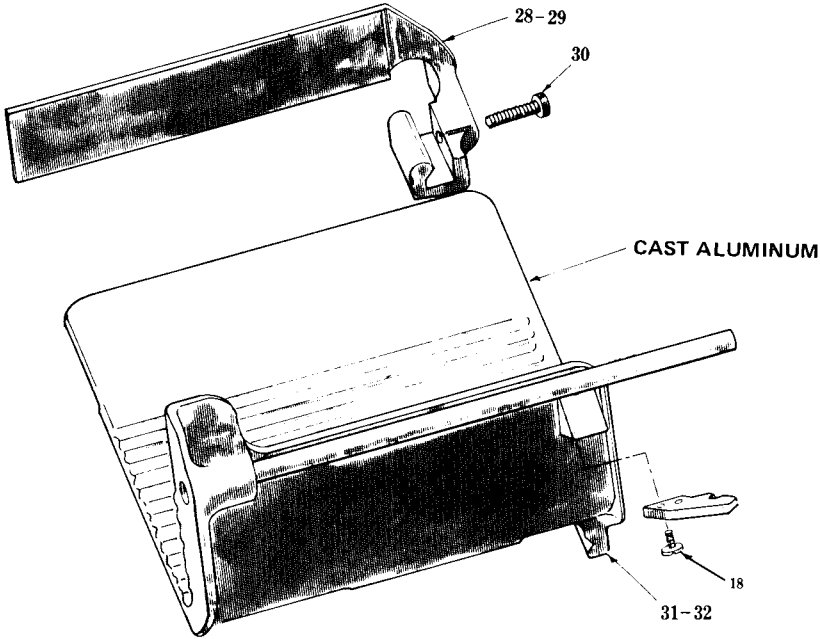
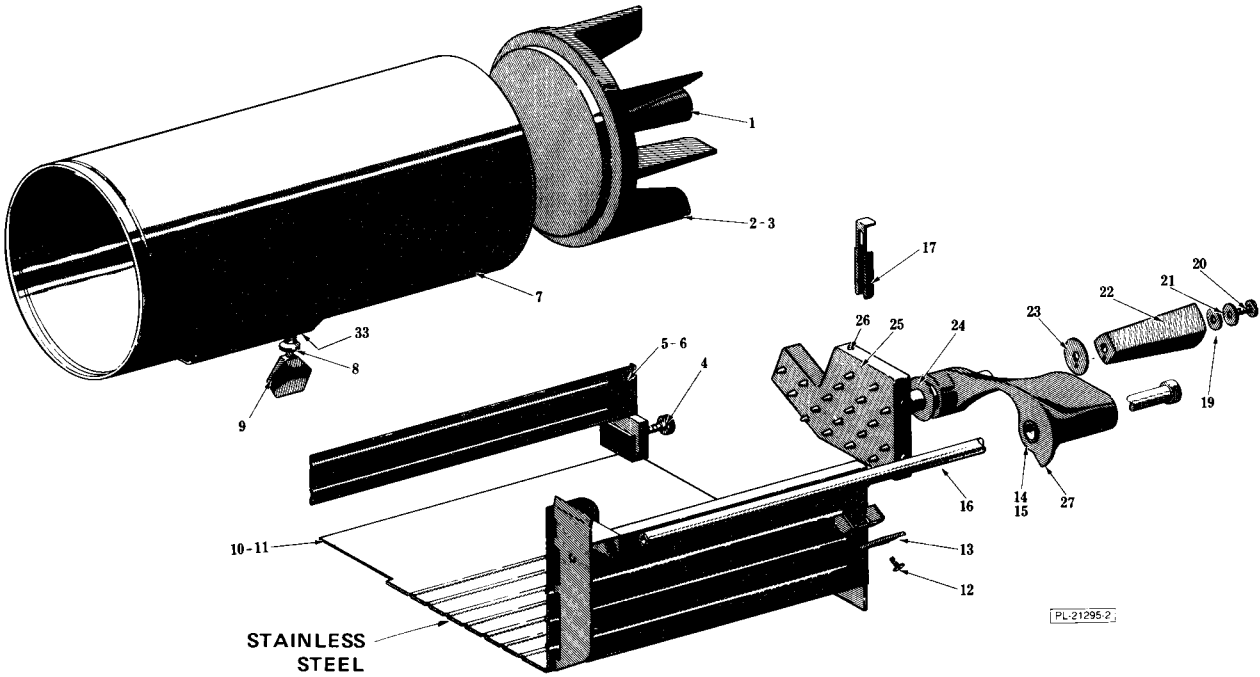
1612 CARRIAGE TRAY UNIT



1612 CARRIAGE TRAY UNIT

ILLUS. PL-21295-1	PART NO.	NAME OF PART ²⁹	AMT.
*1	70194	Handle - Carriage Unit	1
*2	75930	Plate - Pusher	1
*3	75945	Pusher Plate & Handle Assy. (Incls. items 1 & 2)	1
4	290984	Thumb Screw - Fence	1
5	295118	Fence & Thumb Screw Assy. (Incls. item 4) (SST)	1
6	75138-2	Meat Grip Arm & Bearing Assy. (Incls. item 14)	1
*7	118332-1	Tube & Angled Seat Assy	1
*8	107364-2	Washer - Belleville	2
*9	108197-5	Thumb Screw	1
10	290972-1	Carriage Tray Assy. (SST) (Incls. item 16)	1
11	70386	Washer	1
12	SC-8-9	Mach. Screw 10-24 x 3/8 Rd. Hd	2
13	72579	Clip - Meat Grip Retaining	1
14	75135	Bearing - Meat Grip Arm	2
15	WS-21-19	Washer	AR
16	123087-2	Shaft - Knob Assy	1
17	68042	Screw - "Nylok" Truss Hd	2
**18	— — —	Carriage Tray & Slide Rod Assy. (Cast Alum.)	1
19	70344	Washer - Handle Tension	1
20	68042	Screw - "Nylok" Truss Hd	1
21	70345	Washer - Handle Retaining	1
22	70202	Handle - Meat Grip	1
23	70387	Washer - Handle	1
24	120906	Meat Grip Assy. (Standard, Non-Metallic)	1
25	77534	Meat Grip Assy. (Optional, Metallic) (Not Shown)	1
26	70341	Meat Holder - Meat Grip	2
**27	— — —	Fence & Insert Assy. (Cast Alum.)	1
**28	— — —	Thumb Screw - Fence (Cast Alum.)	1
29	RR-11-60	Retaining Ring	1
	*ML-31329-Z	Food Chute Attachment Assy. (Incls. items 1, 2, 3, 7, 8 & 9)	1
	290976-1	Carriage Tray Assy. (Standard) (Incls. items 6, 8 thru 13, 15, 19 thru 24 & 29) (SST)	1
	290976-2	Carriage Tray Assy. (Optional) (Incls. items 6, 8 thru 13, 15, 19 thru 23, 25 & 29) (SST)	1
	290377	Meat Grip & Arm Assy. (Non-Metallic) (Incls. items 6, 11 & 19 thru 24)	1
	290373	Meat Grip & Arm Assy. (Metallic) (Incls. items 6, 11, 19 thru 23, 25 & 26)	1

*Attachment Chute (Special, used in place of Carriage).
 **These parts not available. Order items 5 & 10.



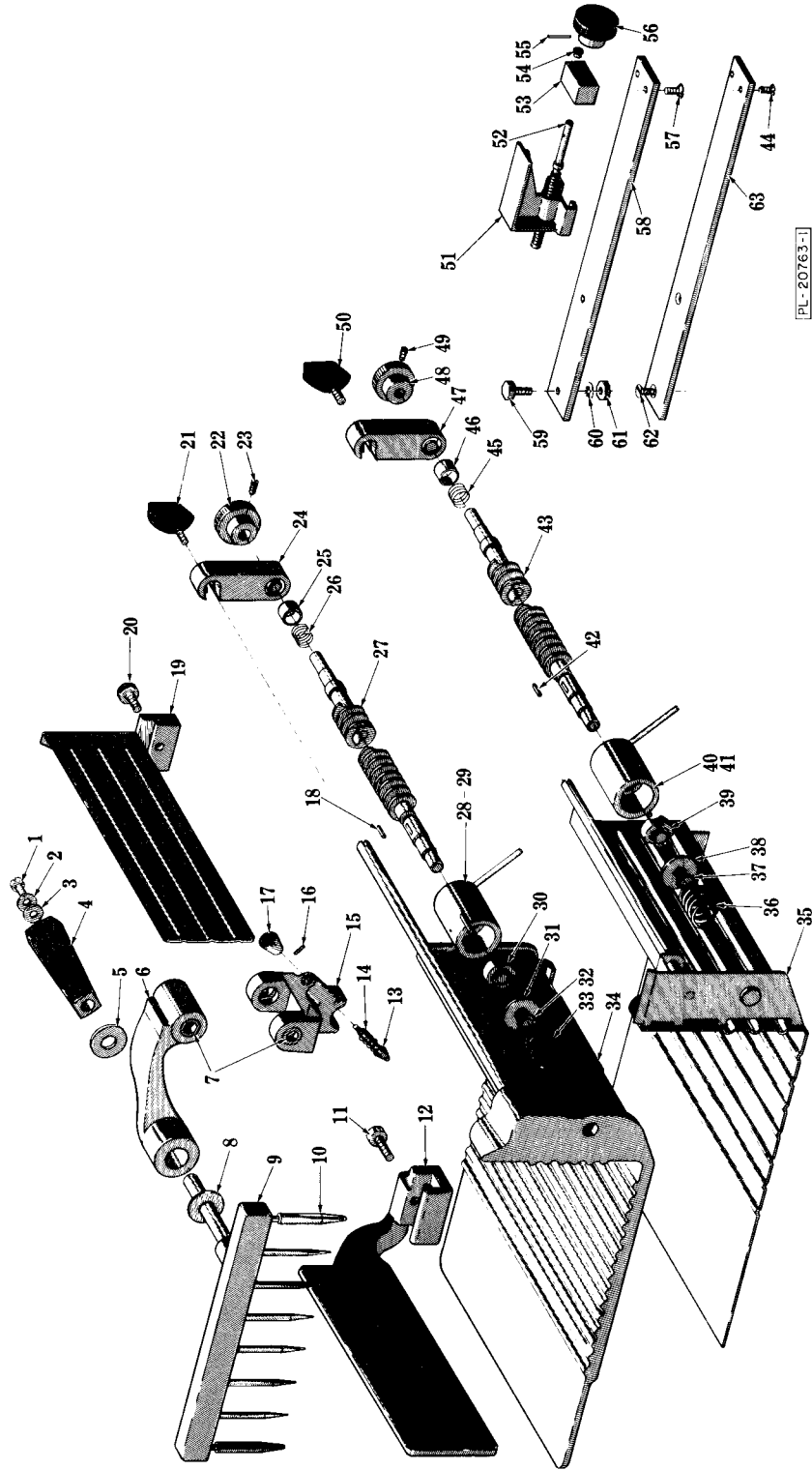
1712 CARRIAGE TRAY UNIT



1712 CARRIAGE TRAY UNIT

ILLUS. PL-21295-2	PART NO.	NAME OF PART ²⁹	AMT.
*1	70194	Handle - Carriage Unit	1
*2	75930	Plate - Pusher	1
*3	75945	Pusher Plate & Handle Assy. (Incls. items 1 & 2)	1
4	290984	Thumb Screw - Fence	1
5	291005-2	Carriage Fence & Thumb Screw Assy. (Incls. item 4) (SST)	1
6	291005-1	High Fence & Thumb Screw Assy. (Horizontal Carriage Tray) (Incls. item 4) (SST)	1
*7	118332-1	Tube & Angled Seat Assy	1
*8	107364-2	Washer	2
*9	108197-5	Thumb Screw	1
10	290972-1	Carriage Tray Assy. (SST) (Incls. item 16)	1
11	290975	Horizontal Carriage Tray & Slide Rod Assy. (SST) (Incls. item 16)	1
12	SC-8-9	Mach. Screw 10-24 x 3/8 Rd. Hd	2
13	72579	Clip - Meat Grip Retaining	1
14	75135	Bearing - Meat Grip Arm	2
15	WS-21-19	Washer	AR
16	123087-2	Shaft - Knob Assy	1
17	70341	Meat Holder - Meat Grip	2
18	68042	Screw - Truss Hd. "Nylok"	2
19	70344	Washer - Handle Tension	1
20	68042	Screw - Truss Hd. "Nylok"	1
21	70345	Washer - Handle Retaining	1
22	70202	Handle - Meat Grip	1
23	70387	Washer - Handle	1
24	70386	Washer	1
25	77534	Meat Grip Assy. (Incls. item 26)	1
26	70360-1	Button - Plastic	5
27	75138-2	Meat Grip Arm & Bearing Assy. (Incls. item 14)	1
**28	— — —	Carriage Fence & Thumb Screw Assy. (Cast Alum.)	1
***29	— — —	High Fence & Thumb Screw Assy. (Horizontal Carriage Tray) (Cast Alum.)	1
**30	— — —	Thumb Screw - Fence	1
**31	— — —	Carriage Tray & Slide Rod Assy. (Cast Alum.)	1
***32	— — —	Horizontal Carriage Tray & Slide Rod Assy. (Cast Alum.)	1
33	RR-11-60	Retaining Ring	1
	*ML-31329-Z	Food Chute Attachment Assy. (Incls. items 3, 7, 8 & 9)	1
	290373	Meat Grip & Arm Assy. (Metalic) (Incls. items 19 thru 27)	1
	290976-3	Carriage Tray, Meat Grip & Arm Assy. (Incls. items 5, 8, 9, 10, 12, 13, 15, 17, 19 thru 25 & 27) (SST)	1
	290977	Horizontal Carriage Tray, Meat Grip & Arm Assy. (Incls. items 5, 8, 9, 11, 12, 13, 15, 17, 19 thru 25, 27 & 33) (SST)	1

*Attachment Chute (Special, used in place of Carriage).
 **These parts Not Available. Order items 5 & 10.
 ***These parts Not Available. Order items 6 & 11.



PL-20763-1

1712R CARRIAGE TRAY UNIT



1712R CARRIAGE TRAY UNIT

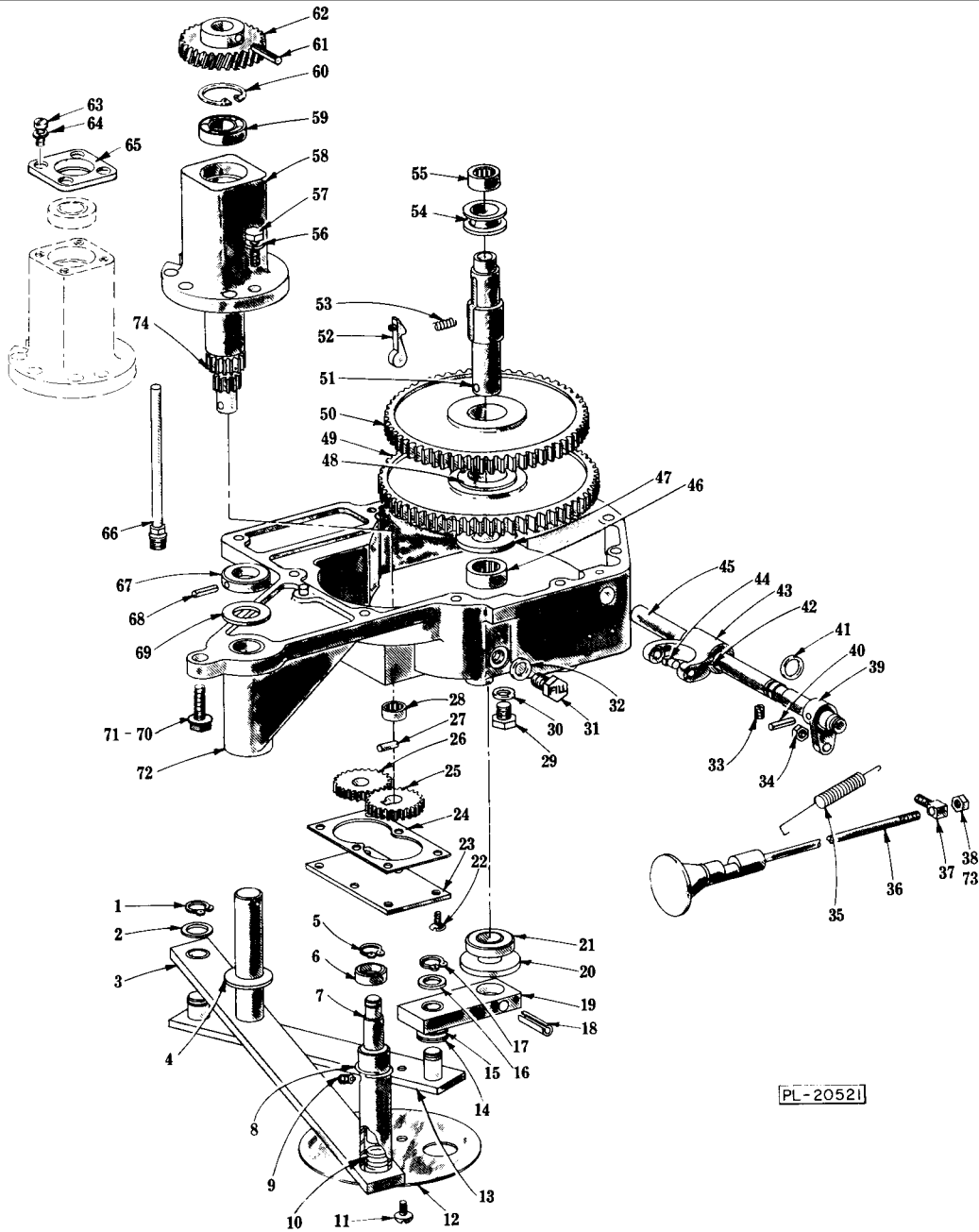
ILLUS. PL-20763-1	PART NO.	NAME OF PART ²⁹	AMT.
1	68042	Screw - Truss Hd. "Nyllok"	1
2	70345	Washer - Handle Retaining	1
3	70344	Washer - Handle Tension	1
4	70202	Handle - Meat Grip	1
5	70387	Washer - Handle	1
6	105077-2	Meat Grip Arm & Bearing Assy. (Incls. item 7)	1
7	75135	Bearing - Meat Grip Arm	4
8	70386	Washer	1
9	105134-2	Meat Grip Assy. (Incls. item 10)	1
10	291665	Cover - Meat Grip Pin	2
**11	70448	Thumb Screw - Fence	1
**12	111038-4	High Fence & Thumb Screw Assy. (Incls. item 11)	1
13	105067	Plunger - Feed Screw	1
14	105065	Spring - Plunger	1
15	114912	Plunger Housing Assy. (Incls. items 7, 13, 14, 16 & 17)	1
16	PG-7-44	Groov-Pin - Type E, 3/32 x 7/16	1
17	116491	Knob - Plunger	1
**18	105393	Key	1
*19	291005-1	High Fence & Thumb Screw Assy. (Incls. item 20)	1
*20	290984	Thumb Screw - Fence	1
*21	108197-9	Thumb Screw	1
**22	— — —	Knob - Feed Screw (Not Available Order Items 48 & 49)	1
**23	SC-49-21	Set Screw 10-24 x 5/16 Hds., Kn. Cup Pt	1
**24	105240	Feed Screw Latch & Bushing Assy	1
**25	105066	Cage - Spring	1
**26	105063	Spring - Feed Screw	1
**27	105006	Screw - Feed	1
**28	105254	Clutch Housing Assy. (Incls. item 29)	1
**29	105057	Bushing - Clutch Housing	1
**30	105073	Clutch - Special	1
**31	105068	Washer - Clutch Housing	1
**32	RR-4-5	Retaining Ring	1
**33	105064	Spring - Clutch Housing	1
**34	105079-2	Carriage Tray & Slide Rod Assy	1
*35	290973	Carriage Tray & Slide Rod Assy	1
*36	105064	Spring - Clutch Housing	1
*37	RR-4-5	Retaining Ring	1
*38	105068	Washer - Clutch Housing	1
*39	105073	Clutch - Special	1
*40	290965	Clutch Housing Assy. (Incls. item 41)	1
*41	105057	Bushing	1
*42	105393	Key	1
*43	105006	Screw - Feed	1
*44	SC-22-19	Mach. Screw 10-24 x 1/2 Flat Hd	2
*45	105063	Spring - Feed Screw	1
*46	105066	Cage - Spring	1
*47	105240	Feed Screw Latch & Bushing Assy	1
*48	291342	Knob - Feed Screw	1
*49	SC-55-2	Set Screw 1/4-20 x 1/4 Hds., Kn. Cup Pt	1
*50	108197-9	Thumb Screw	1
51	105186	Block - Actuating	1
52	105071	Screw - Adjusting	1
53	105075	Retainer - Adjusting Screw	1
54	79686	Catch - Friction	1
55	RP-2-33	Rollpin 3/32 Dia. x 1 Lg	1
56	105069	Knob - Adjusting Screw	1
**57	SC-22-19	Mach. Screw 10-24 x 1/2 Flat Hd	2
**58	— — —	Slide Plate - Adjusting Block (Not Available order item 63)	1
**59	SC-41-11	Cap Screw 5/16-18 x 3/4 Hex Hd	2
**60	WL-8-22	Lock Washer 5/16 Int. Shakeproof	2
**61	NS-9-41	Full Nut 5/16-18 Hex Fin	2
*62	SC-22-39	Mach. Screw 1/4-20 x 5/8 Flat Hd	1
*63	291343-2	Slide Plate - Actuating Block	2
	105078	Slide Plate, Knob, Actuating Block & Adj. Screw Assy. (Incls. items 44, 51 thru 56 & 63)	1

*Use with Fabricated (SST) Tray.

**Use with Cast (Alum.) Tray.



1612/1712/1712R REPLACEMENT PARTS



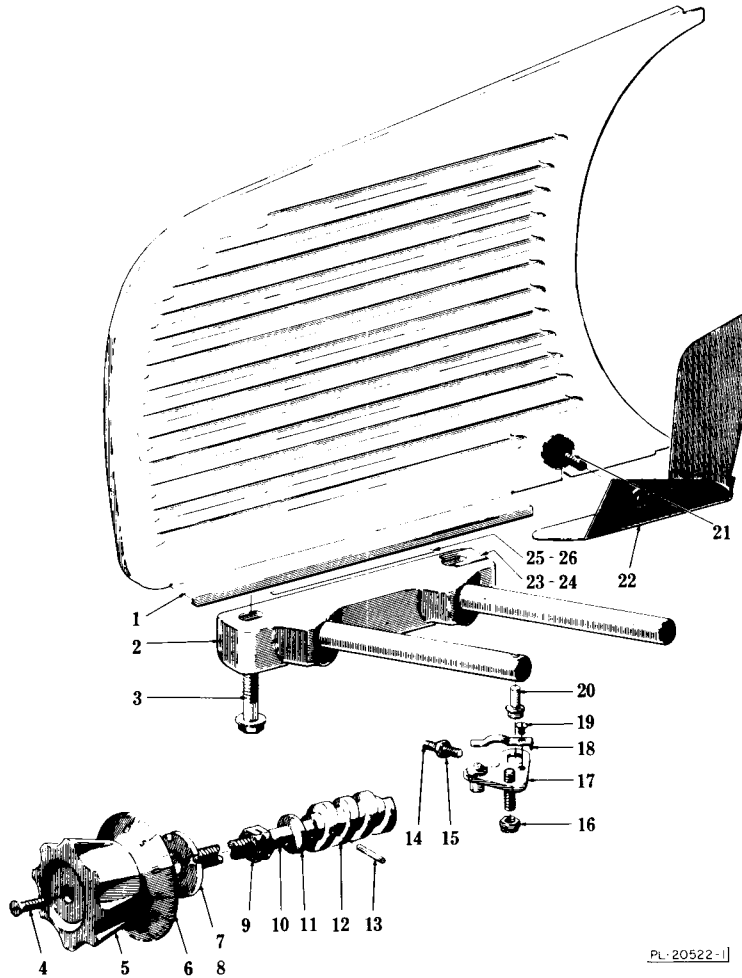
1712/1712R GEAR CASE UNIT

ILLUS.	PART NO.	NAME OF PART ²⁹	AMT.
PL-20521	1	RR-4-17 Retaining Ring	1
	2	WS-7-21 Washer	1
	3	70259 Engaging Arm Assy	1
	4	70283 Washer - Pivot Shaft Thrust	1
	5	RR-4-3 Retaining Ring	1
	6	70303 Roller - Engaging Mech	1
	7	70295 Shaft - Engaging Mech	1
	8	70396 Ring - Stop Retaining	1
	9	70324 Stop - Engaging Mech. Shaft	1
	10	70307 Spring - Engaging Mech	1
	11	SC-9-28 Mach. Screw 10-24 x 3/8 Rd. Hd	2
	12	103915 Cover Plate - Connecting Rod	2
	13	70268 Connecting Rod Assy	1



1712/1712R GEAR CASE UNIT (Cont.)

ILLUS. PL-20521	PART NO.	NAME OF PART ²⁹	AMT.
14	WS-8-9	Washer	2
15	WS-8-8	Washer	1
16	WS-7-21	Washer	1
17	RR-4-17	Retaining Ring	1
18	RP-2-46	Rollpin 1/4 Dia. x 1 1/4 Lg	1
19	123889	Arm & Bearing Assy	1
20	70290	Washer - Crank Arm Thrust	1
21	70442	Seal - Drive Shaft	1
22	SC-14-76	Mach. Screw 10-24 x 3/8 Flat Hd	6
23	70234	Cover - Gear Pump Bottom	1
24	70244	Gasket - Bottom Cover	1
25	70243	Gear - Oil Pump Drive (27T)	1
26	70242	Gear - Oil Pump Idler (27T)	1
27	11800-200	Dowel	1
28	BN-2-13	Needle Bearing - Torrington #B-86	1
29	SC-62-68	Cap Screw 1/2-20 x 3/4 Hex Hd	1
30	WS-21-21	Washer	1
31	64465-3	Plug - Oil Fill	1
32	WS-21-20	Washer	1
33	SC-63-14	Set Screw 8-32 x 1/4 Hdls., Flat Pt	1
34	NS-32-1	Stop Nut 10-24 "Flexloc"	1
35	70285	Spring - Shifter Mech	1
36	70446	Shift Rod, Selector & Knob Assy	1
37	70286	Knuckle - Shifter	1
38	NS-9-30	Mach. Nut 10-32 Hex	2
39	70296	Bracket - Shifter	1
40	RP-2-28	Rollpin 3/16 Dia. x 3/4 Lg	1
41	67500-2	"O" Ring	1
42	12430-3	Key	1
43	61654	Yoke - Shifter	1
44	61655	Shoe - Shifter	2
45	70267	Shaft - Shifter	1
46	BN-2-15	Needle Bearing - Torrington #B-126	1
47	70281	Washer - Gear Thrust	1
48	70274	Collar - Diving Key	1
49	72715	Gear - Driven (119T)	1
50	70170	Gear - Driven (114T)	1
51	293036	Shaft - Crank Arm Drive	1
52	114356	Key - Diving	1
53	70308	Spring - Diving Key	1
54	61656	Sleeve - Clutch Shifter	1
55	BN-2-14	Needle Bearing - Torrington #M-881	1
56	WL-3-37	Lock Washer 1/4 Medium	3
57	SC-36-6	Cap Screw 1/4-20 x 1 Hex Hd	3
58	70156	Carrier - Pinion Shaft Bearing	1
59	BB-15-37	Ball Bearing - N.D. #3L03	1
60	RR-11-52	Retaining Ring	1
61	RP-3-8	Rollpin 3/16 Dia. x 1 1/8 Lg	1
62	70159	Gear - Worm (29T)	1
63	SC-11-17	Mach. Screw 10-24 x 1/2 Fil. Hd	4
64	WL-3-21	Lock Washer 10 High Collar	4
65	116714	Retainer - Bearing	1
66	70248	Fitting & Oil Tube Assy	1
67	70275	Collar - Pivot Shaft Thrust	1
68	RP-3-12	Rollpin 1/8 Dia. x 1 1/4 Lg	1
69	70283	Washer - Thrust	1
70	SD-33-8	Self-Tapping Screw 5/16-18 x Hex Washer Hd., Type TT	4
71	SD-33-9	Self-Tapping Screw 5/16-18 x 3 Hex Washer Hd., Type TT	7
72	124640-1	Gear Case, Bearing & Dowel Assy. (Incls. items 21 & 46)	1
73	WL-8-13	Lock Washer 10 Int. Shakeproof	2
74	72716	Shaft - Pinion (19T & 14T)	1
	72714	Brg. Carrier, Pinion Shaft & Gear Assy. (Incls. items 58 thru 62 & 74)	1
	106933	Drive Shaft Assy. (Incls. items 51, 52, 53 & 54)	1



PL-20522-1

GAUGE PLATE & INDEXING MECH.

ILLUS. PL-20522-1	PART NO.	NAME OF PART ²⁹	AMT.
1	124768	Gauge Plate Unit	1
2	88740-2	Gauge Plate Support & Slide Rod. Assy	1
3	112913	Screw - Special	2
4	SC-23-10	Mach. Screw 10-24 x 3/4 Oval Hd	1
5	114214	Cap - Index Knob	1
6	118175	Dial Assy	1
7	76948	Disc - Indexing Drive	1
8	RP-2-40	Rollpin 3/32 Dia. x 3/4 Lg	1
9	10928-2	Nut - Special	2
10	87494	Shaft - Indexing	1
11	88298	Washer - Belleville	2
12	87495	Worm - Indexing	1
13	RP-2-22	Rollpin 3/32 Dia. x 3/4 Lg	1
14	SC-63-28	Set Screw 1/4-20 x 1 Hdls., Flat Pt	1
15	NS-17-1	Jam Nut 1/4-20 Hex Fin	1
16	NS-32-12	Stop Nut 5/16-18 "Flexloc"	1
17	70425	Indexing Plate, Roller, Collar & Stud Assy. (Incls. items 18 & 19)	1
18	20610	Spring - Indexing Plate	1
19	SC-8-14	Mach. Screw 10-32 x 3/16 Rd. Hd	1
20	70343	Roller - Indexing Plate (Straight)	1
21	109702	Thumb Screw (1712 & 1712R)	1
22	105256	Meat Deflector (1712 & 1712R)	1
23	291171-1	Spacer - Gauge Plate Sprocket (.003" Thk.)	AR
24	291171-2	Spacer - Gauge Plate Sprocket (.005" Thk.)	AR
25	122559-	Shim (Specify Dash #: -1 = .0075 Thk.; -2 = .010 Thk. & -3 = .0125 Thk.)	AR
26	122573-	Shim (Specify Dash #: -1 = .002 Thk.; -2 = .003 Thk.; -3 = .004 Thk. & -4 = .005 Thk.)	AR
	87493	Indexing Shaft & Worm Assy. (Incls. items 10, 12 & 13)	1



As continued product improvement is a policy of HOBART, specifications are subject to change without notice.

Ce catalogue n'est pas contractuel. HOBART se réserve le droit, et sans préavis, d'apporter toutes modifications ou améliorations à ses matériels.

HOBART behält sich das Recht vor, an allen Produkten technische Änderungen und Verbesserungen ohne Ankündigung vorzunehmen.

Voortdurende produktverbetering vormt een wezenlijk onderdeel van het beleid van HOBART. Specificaties kunnen zonder kennisgeving gewijzigd worden.